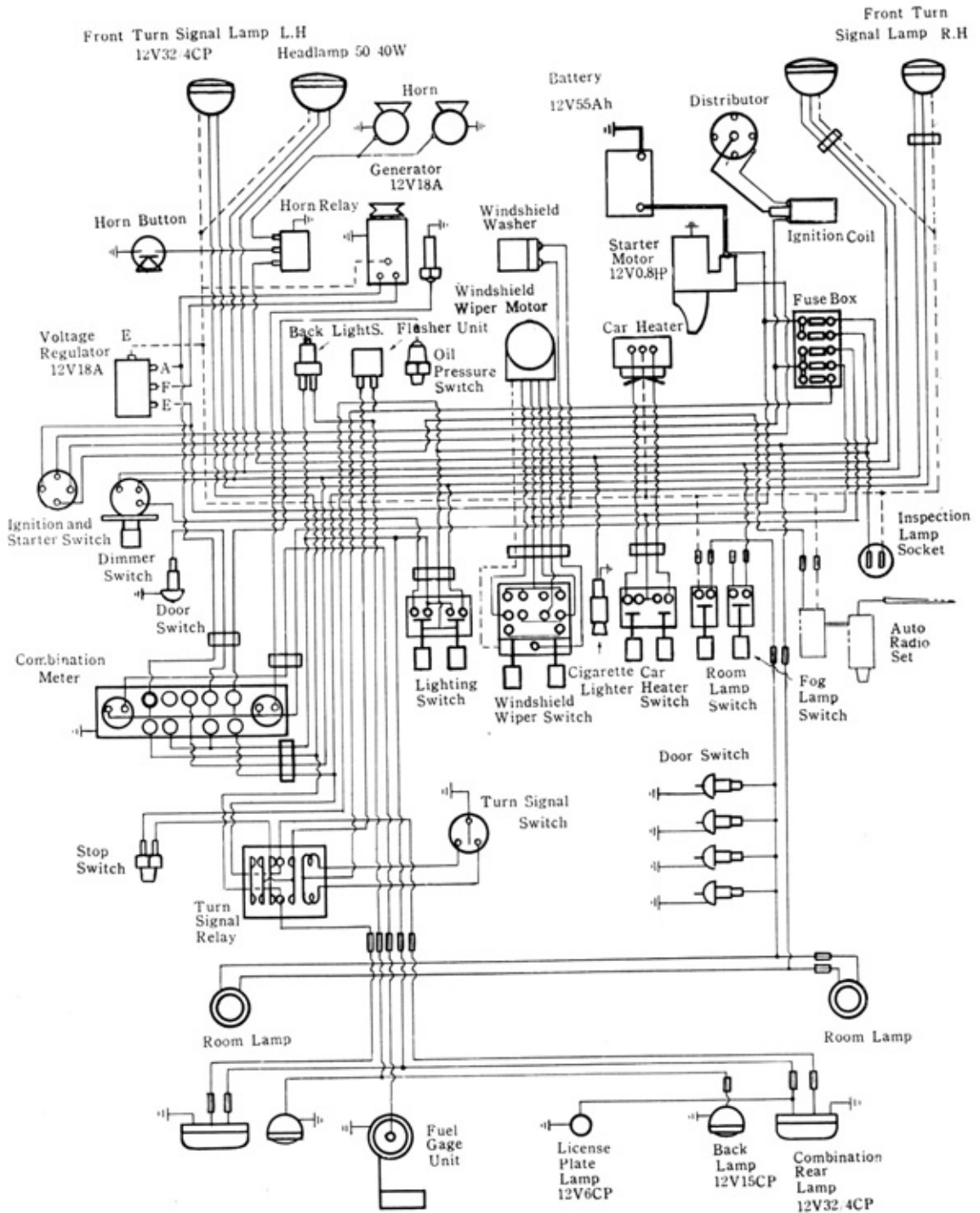


CHAPTER 9

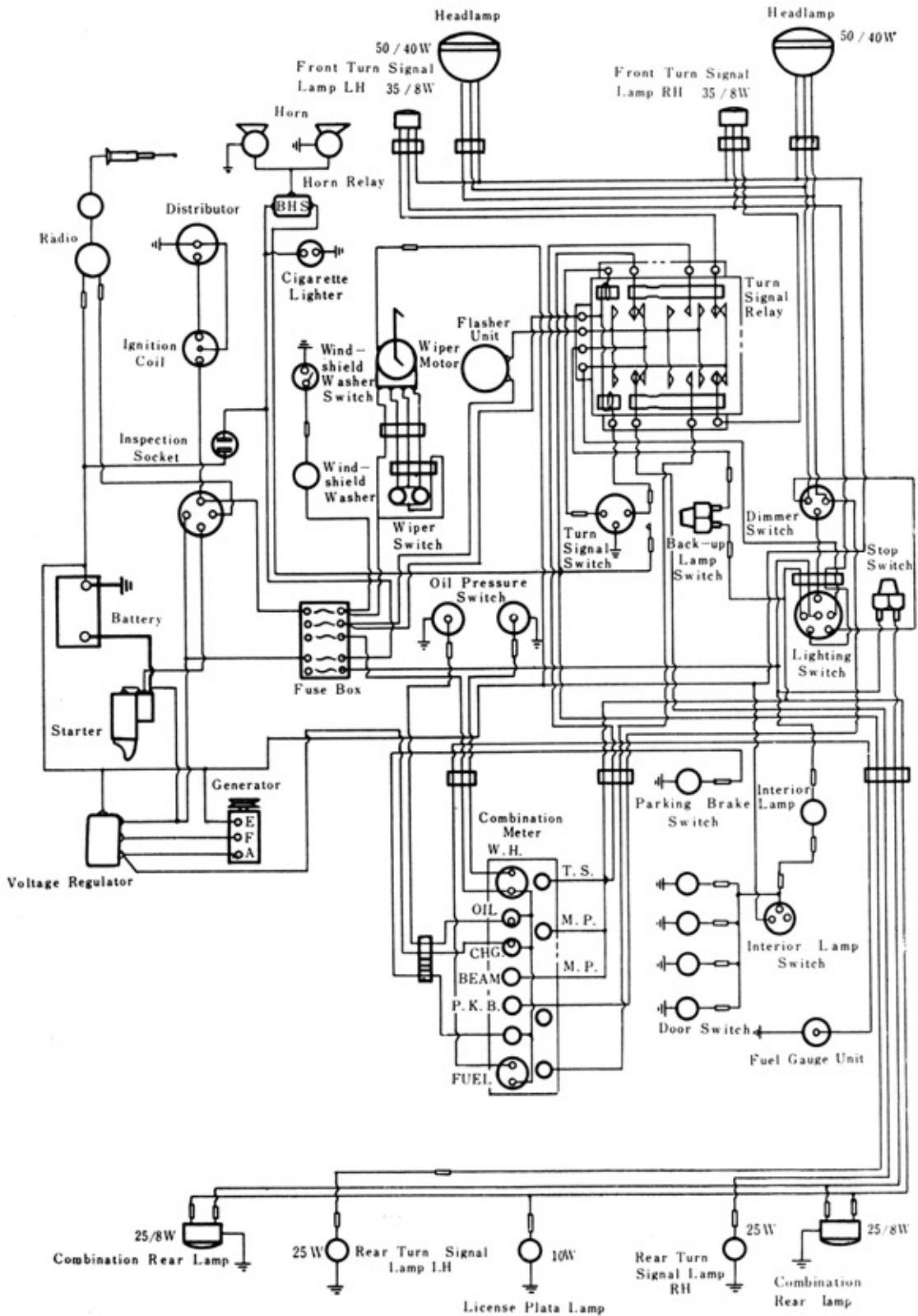
CHASSIS ELECTRICAL

WIRING DIAGRAM	9— 1
HEADLAMP	9— 3
FRONT TURN SIGNAL LAMP	9— 3
COMBINATION REAR LAMP	9— 4
BACK-UP LAMP	9— 4
ROOM LAMP	9— 4
WINDSHIELD WIPER	9— 4
TURN SIGNAL RELAY	9— 5
WIRE HARNESS	9— 7
WIRING CONNECTION	9—12

RT20L WIRING DIAGRAM



RT20 WIRING DIAGRAM



HEADLAMP

Removal

1. Remove headlamp rim.

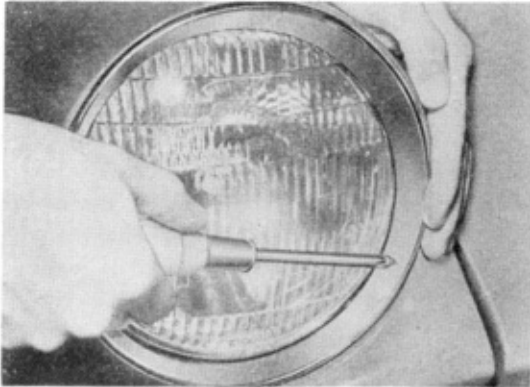


Fig. 9-1 Removing Headlamp Rim

2. Remove headlamp sealed beam seating ring spring from the retaining ring.

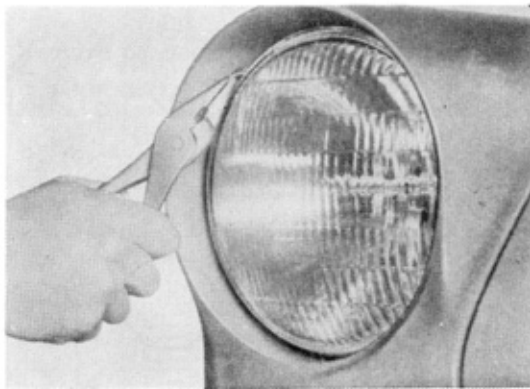


Fig. 9-2 Removing Seating Ring Spring

3. Remove headlamp sealed beam retaining ring.
4. Remove headlamp sealed beam unit.

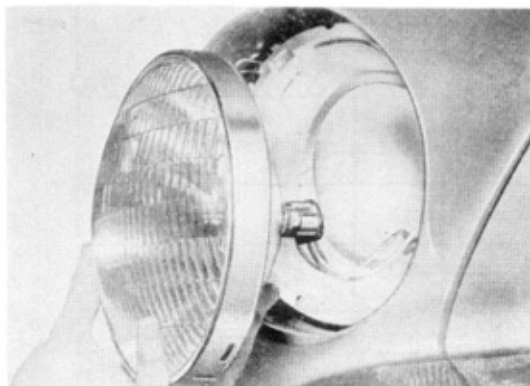


Fig. 9-3 Removing Sealed Beam Unit

5. Remove seating ring tension spring.

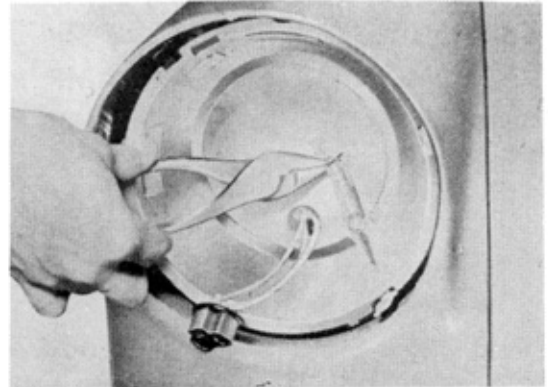


Fig. 9-4 Removing Tension Spring

6. Loosen headlamp adjusting screw and remove seating ring.
7. Remove headlamp housing and headlamp body packing.

Installation

Follow "REMOVAL" in reverse order.

Note: The direction of headlamp beam can be adjusted through a vertical adjusting bolt and a lateral adjusting bolt on the headlamp mounting ring.

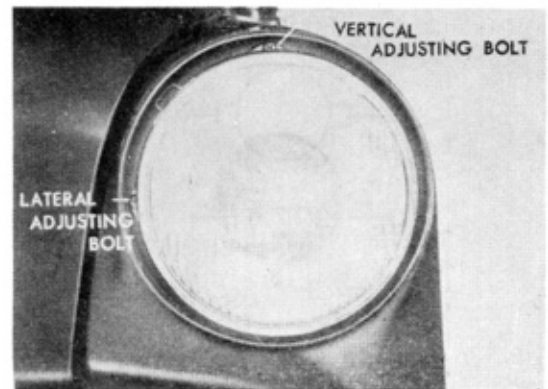


Fig. 9-5 Adjusting Direction of Headlamp

FRONT TURN SIGNAL LAMP

Removal

1. Remove a screw on the rim and remove lamp by turning lamp slightly to the left.
2. Remove sealing rubber and pull out bulb socket from lamp reflector.
3. Remove lamp bulb.
4. Remove stopper spring, disassembling rim, lens and reflector.

Installation

Follow "REMOVAL" in reverse order.

COMBINATION REAR LAMP**Removal**

1. Disconnect wiring cords at their connectors.
2. Unscrew lamp body set nut.
3. Remove rear lamp set plate and pull out lamp assembly.
4. Unscrew lens set bolt and remove rear lamp lens.

Installation

Follow "REMOVAL" in reverse order.

BACK-UP LAMP**Removal**

1. Disconnect wiring cords at their connectors.
2. Remove lamp housing by unscrewing set nut and remove lamp body with related parts.
3. Unscrew lens set bolt and disassemble each parts.
4. Remove rear turn signal lamp lens by un-

screwing three set screws on lamp rim.

Installation

Follow "REMOVAL" in reverse order.

Note :

The back-up lamp can be connected in two ways.

First, if the back-up lamp is connected with the output terminals or the lighting switch, it lights when the gear shift lever is engaged into reverse position with the lighting switch on. Secondly, if the back-up lamp is connected with the fuse box (5A) terminal, it lights whenever the gear shift lever is engaged into reverse position.

ROOM LAMP**Removal**

1. Take off lens by unscrewing set screw.
2. Pull out bulb.
3. Remove lamp body by unscrewing two set screws.

Installation

Follow "REMOVAL" in reverse order.

WINDSHIELD WIPER

Wiring Diagram (RT20L, PT20, RT20)

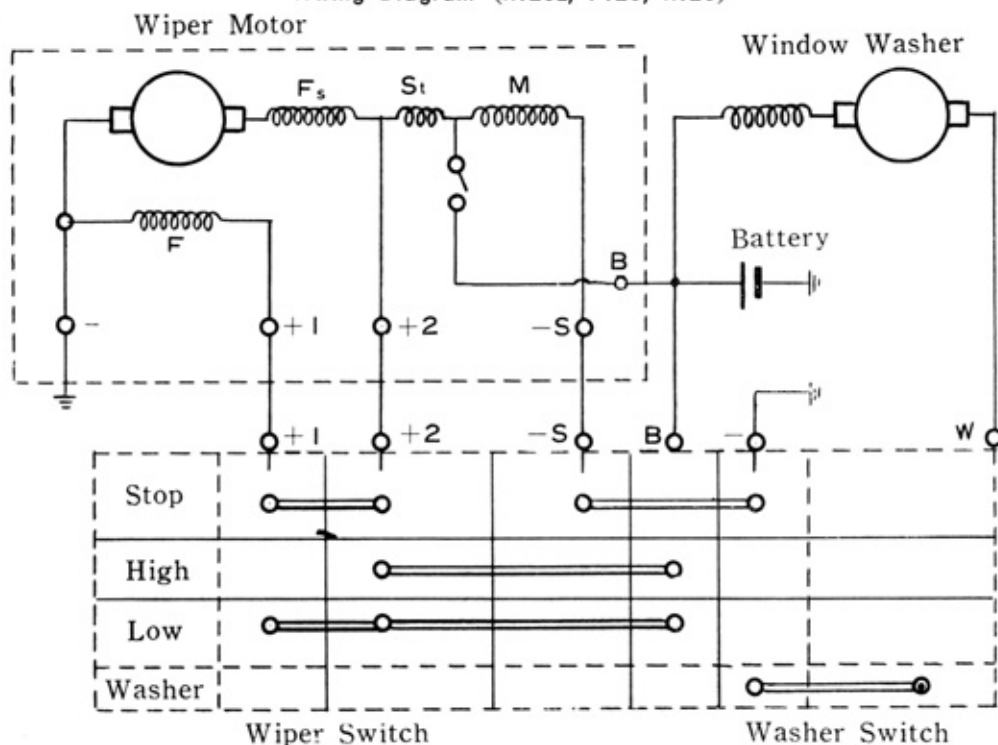


Fig. 9-6 Wiring of Wiper Motor

Removal

1. Remove wiper arm with blade.
2. Disconnect wiring cords at their connectors.
3. Take off rack housing and related parts from cowl pannel of body.
4. Loosen two bolts mounting wiper motor to wiper motor bracket.

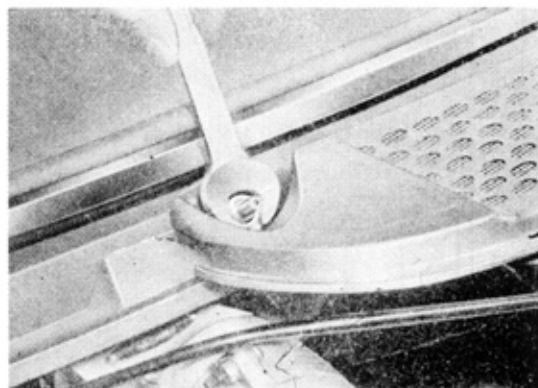


Fig. 9-7 Loosening Bolts

loosening two screws and disconnect rack and guide complete from driving rod of wiper motor.

6. Remove wiper motor.

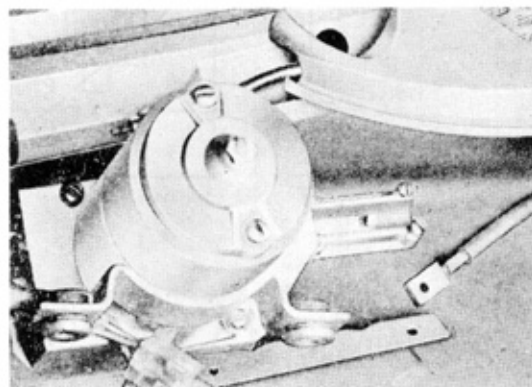


Fig. 9-8 Removing Wiper Motor

7. Pull out rack housing with rack and guide complete to the left.

5. Remove connecting rod housing cover by

Installation

Follow "REMOVAL" in reverse order.

TURN SIGNAL RELAY

Wiring Diagram (PT20, RT20)

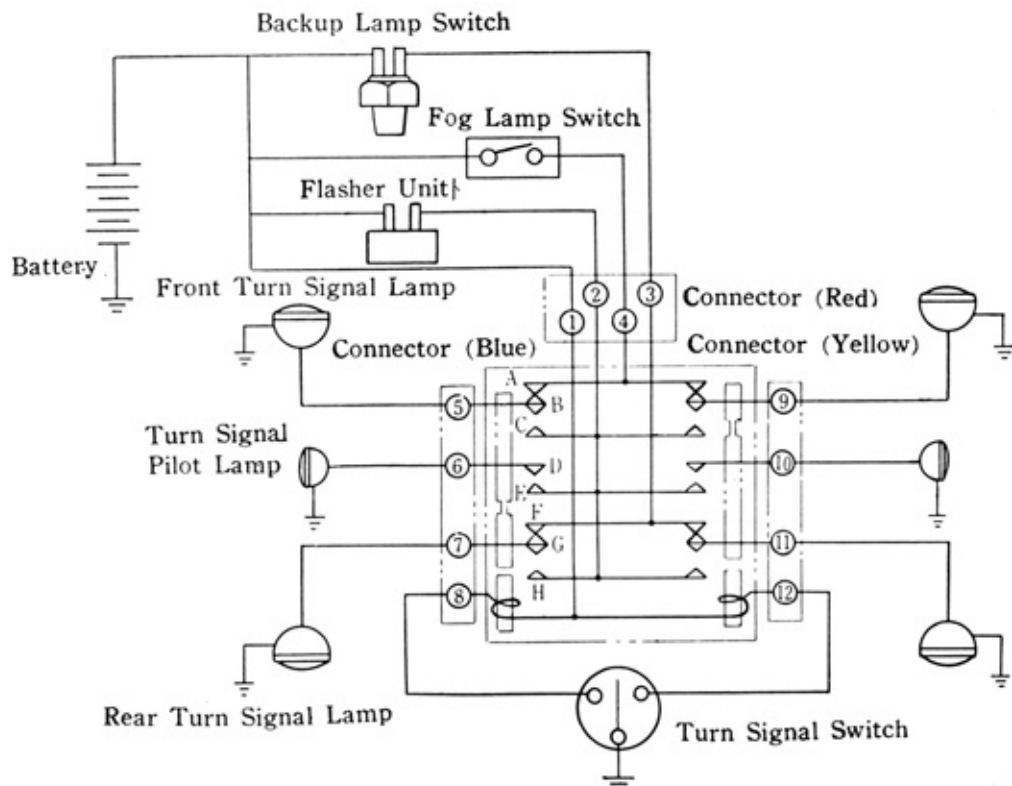
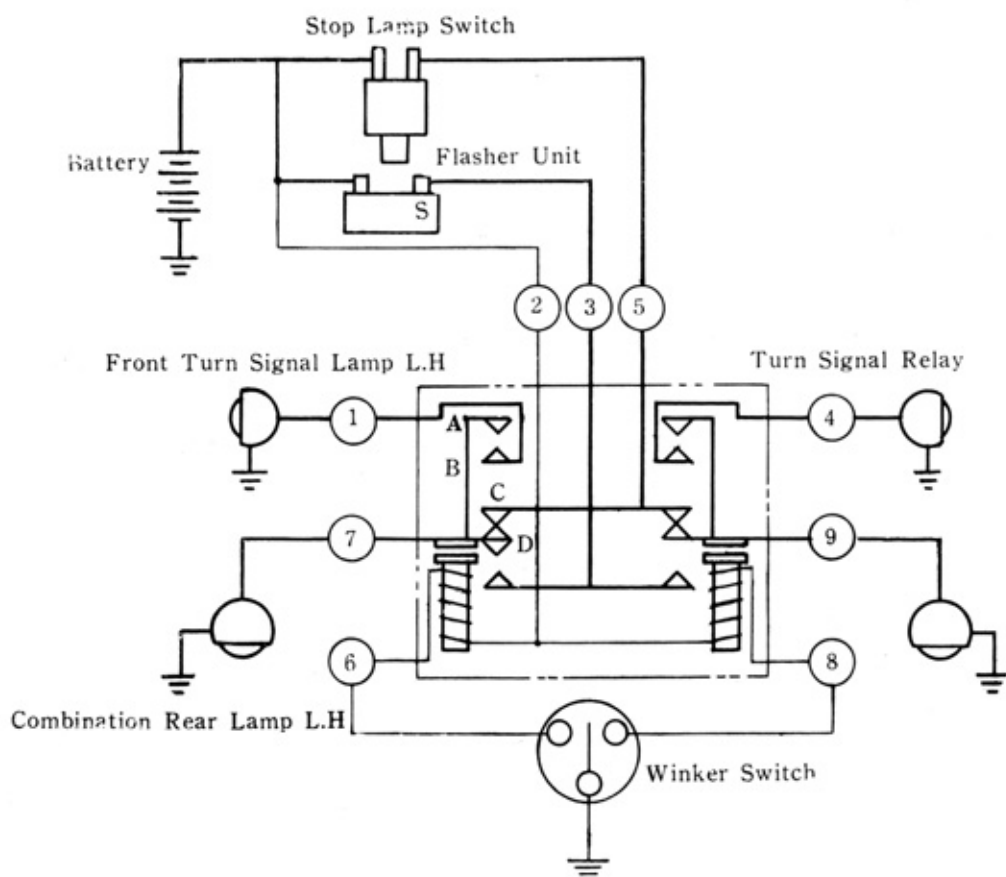


Fig. 9-9 Wiring of Turn Signal Relay

Wiring Diagram (RT20L)



Inspection

1. Measure air gap and point gap. These gaps should conform to the following values. If they exceed the specified value, repair or replace turn signal relay.

Adjust value

Air Gap 0.5~0.9mm (0.0197"~0.0354")

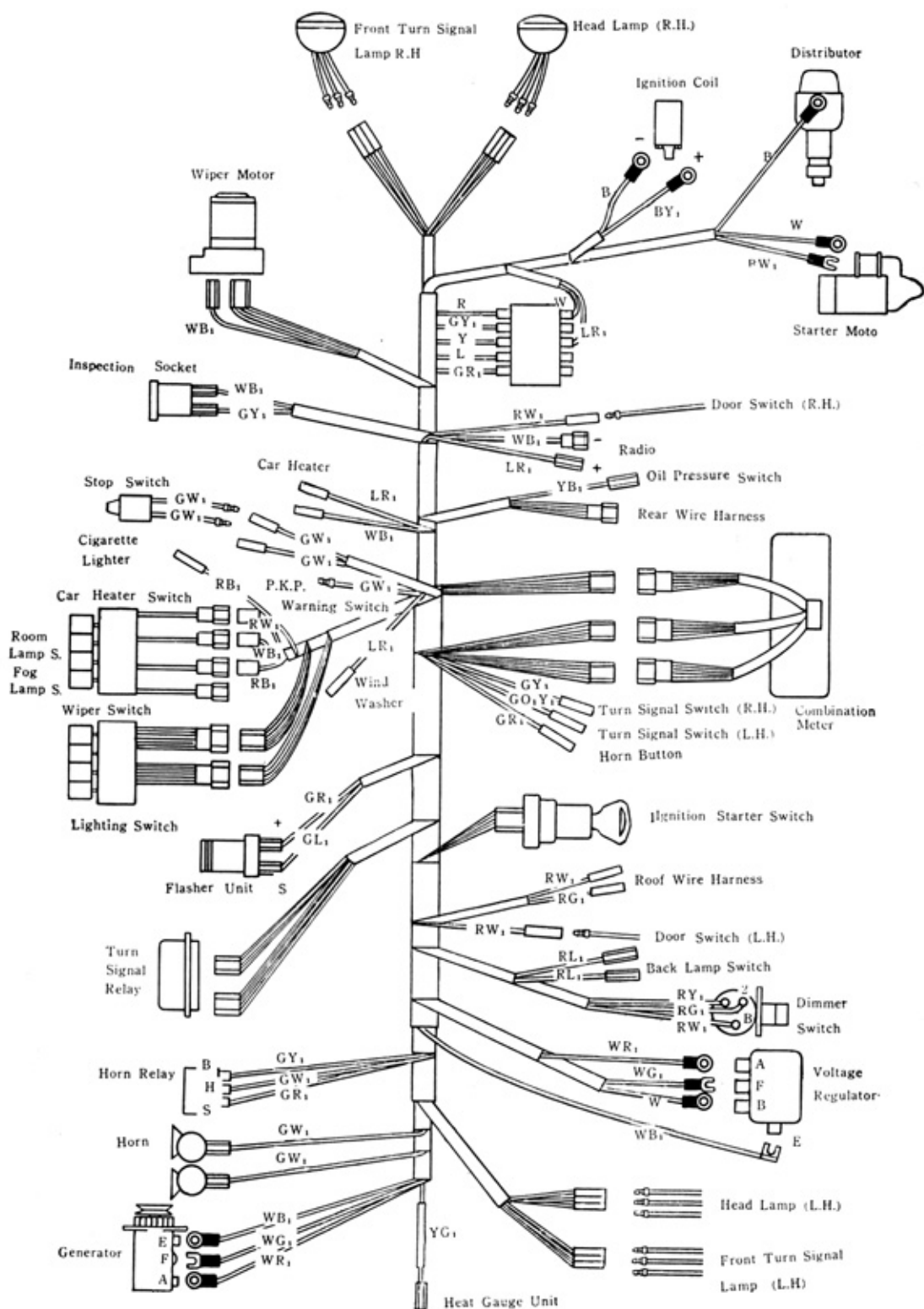
Point Gap 0.2~0.6mm (0.0078"~0.0236")

2. Measure contact pressure of point. The contact pressure should be more than 40g (1.41 oz). If it is less than 40g, repair or replace turn signal relay.
3. Measure operating voltage. If the relay is inoperative by 10V, replace with new one.

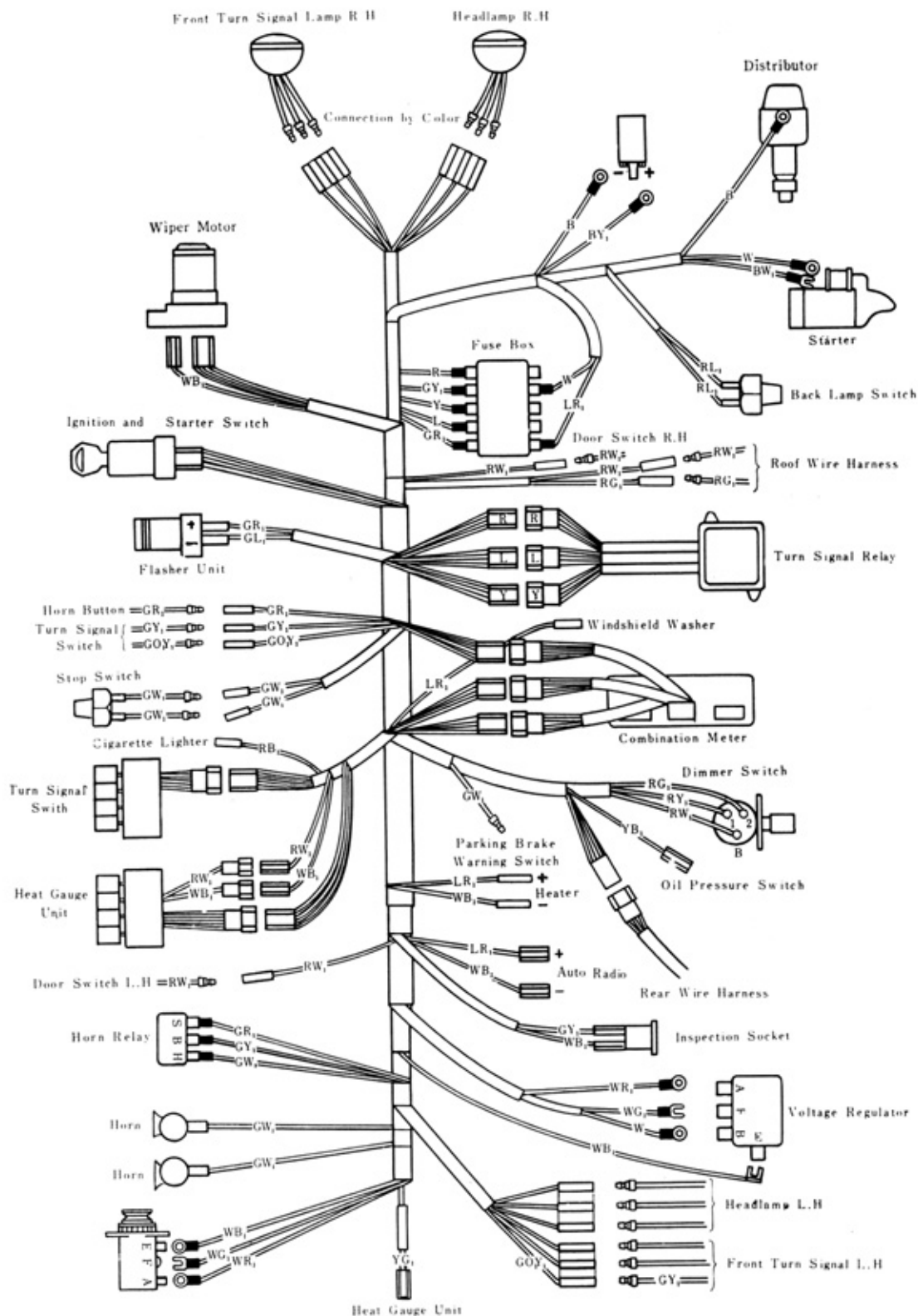
COLOR CODE

Sign	Color	Sign	Color
B	Black	LW ₁	Blue and White
BR ₁	Black and Red	R	Red
BW ₁	Black and White	RB ₁	Red and Black
BW ₁ R ₁	Black, White and Red	RG ₁	Red and Green
BY ₁	Black and Yellow	RL ₁	Red and Blue
G	Green	RW ₁	Red and White
GL ₁	Green and Blue	RY ₁	Red and Yellow
Go ₁	Green and Orange	W	White
GO ₁ Y ₁	Green, Orange and Yellow	WB ₁	White and Black
GR ₁	Green and Red	WG ₁	White and Green
GW ₁	Green and White	WR ₁	White and Red
GY ₁	Green and Yellow	Y	Yellow
L	Blue	YB ₁	Yellow and Black
LB ₁	Blue and Black	YG ₁	Yellow and Green
LO ₁	Blue and Orange	YR ₁	Yellow and Red
LR ₁	Blue and Red		

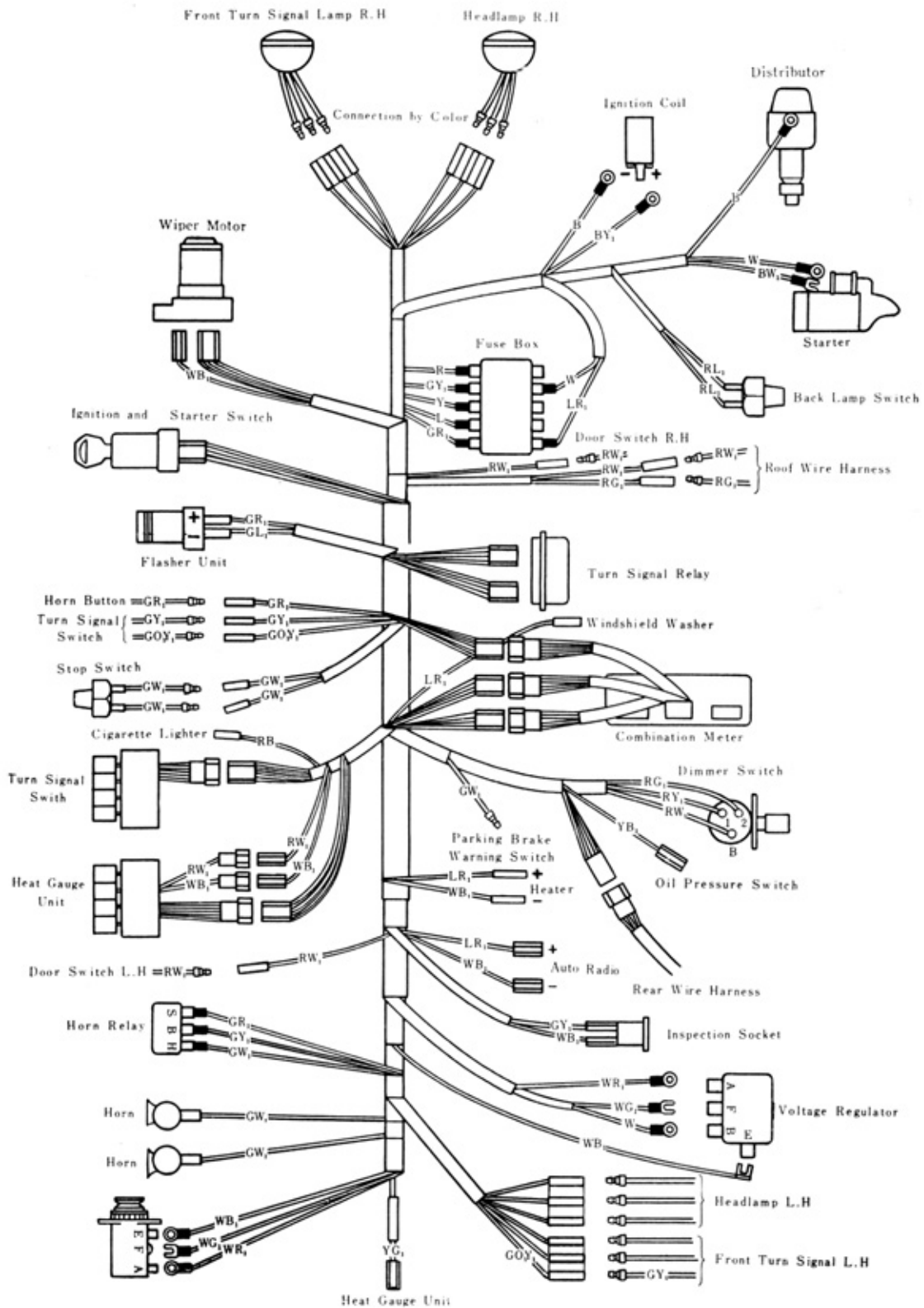
FRONT WIRE HARNESS (RT20L)



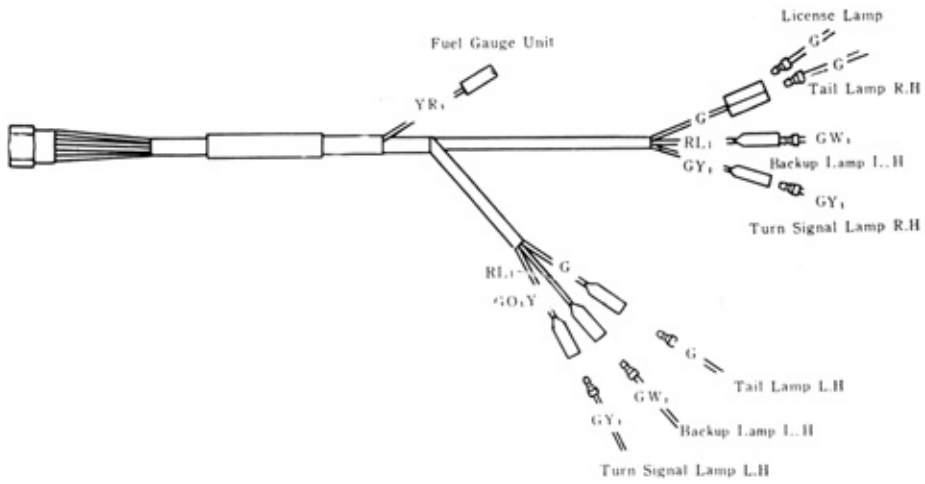
FRONT WIRE HARNESS (RT20, PT20) (New Type)



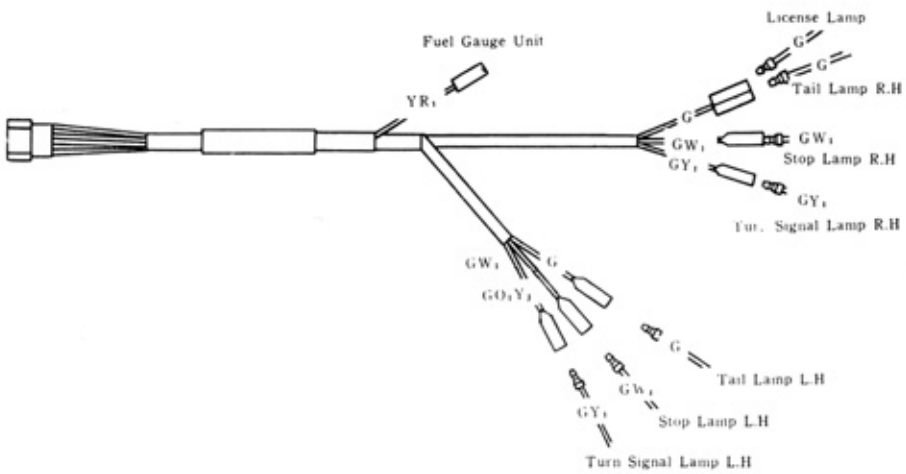
FRONT WIRE HARNESS (PT20) (Old Type)



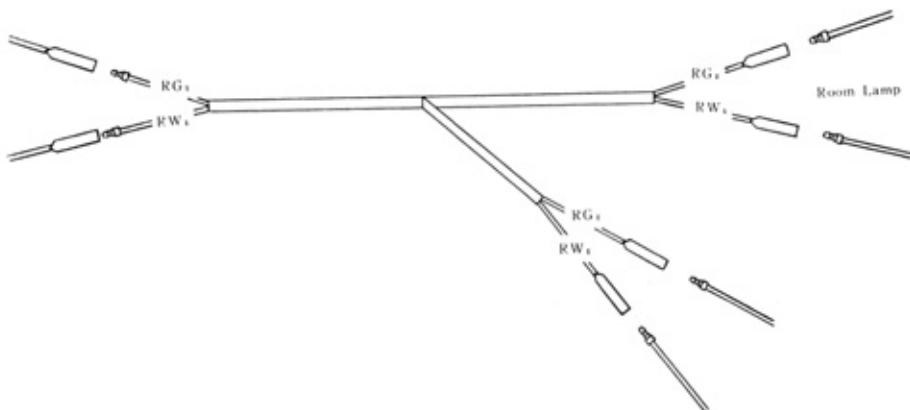
REAR WIRE HARNESS (RT20L)



REAR WIRE HARNESS (RT20, PT20)



ROOF WIRE HARNESS (RT20, RT20L)

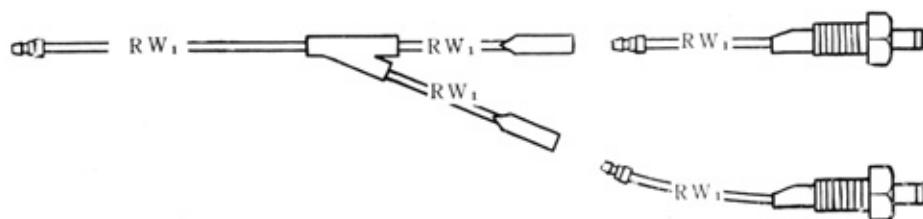


ROOF WIRE HARNESS (PT20)



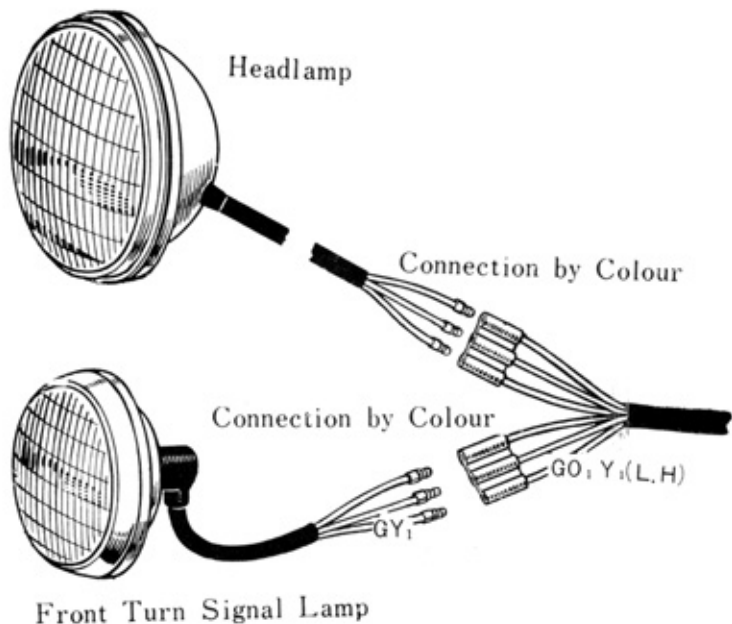
DOOR SWITCH SUB WIRE (RT20L, RT20, PT20)

Door Switch

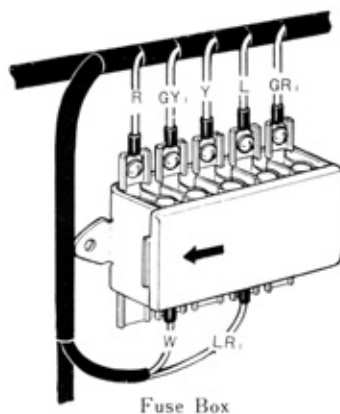


WIRING CONNECTION

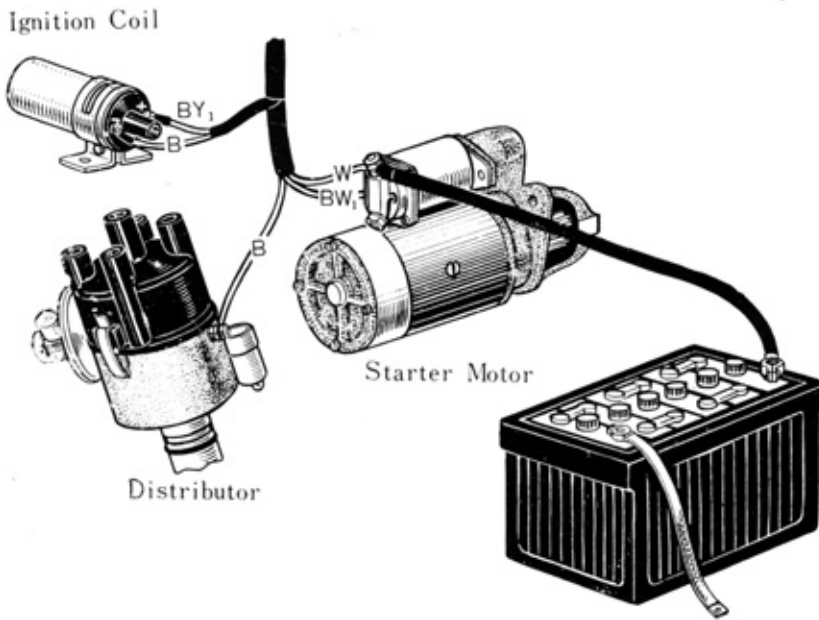
Models RT20L, RT20, PT20



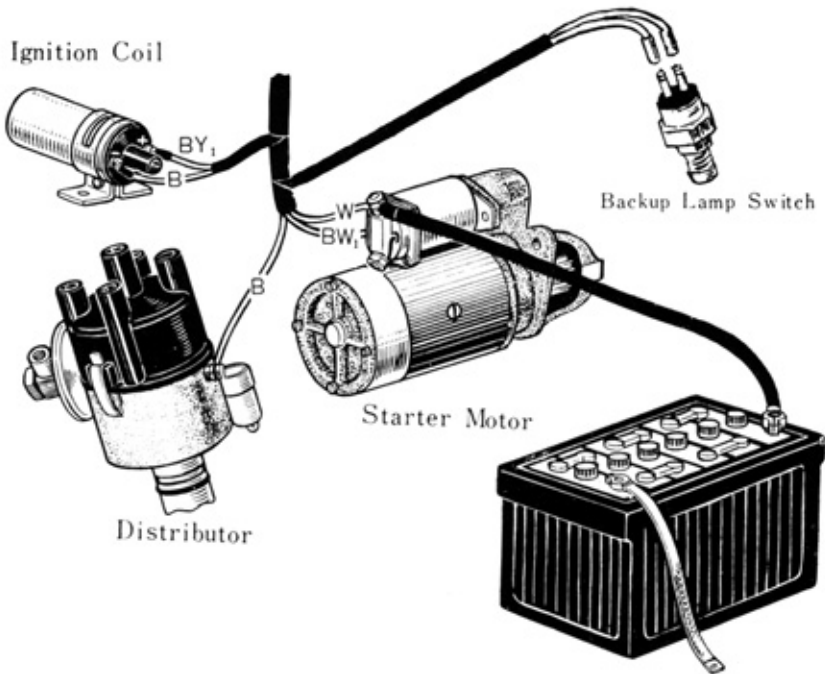
Models RT20L, RT20, PT20

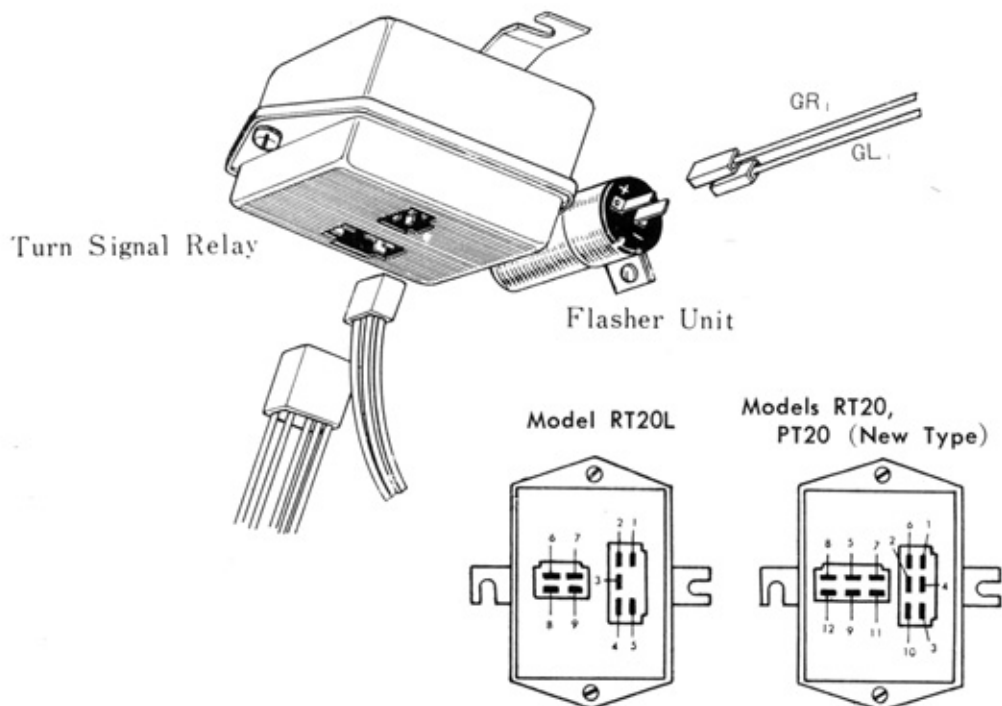


Model RT20L



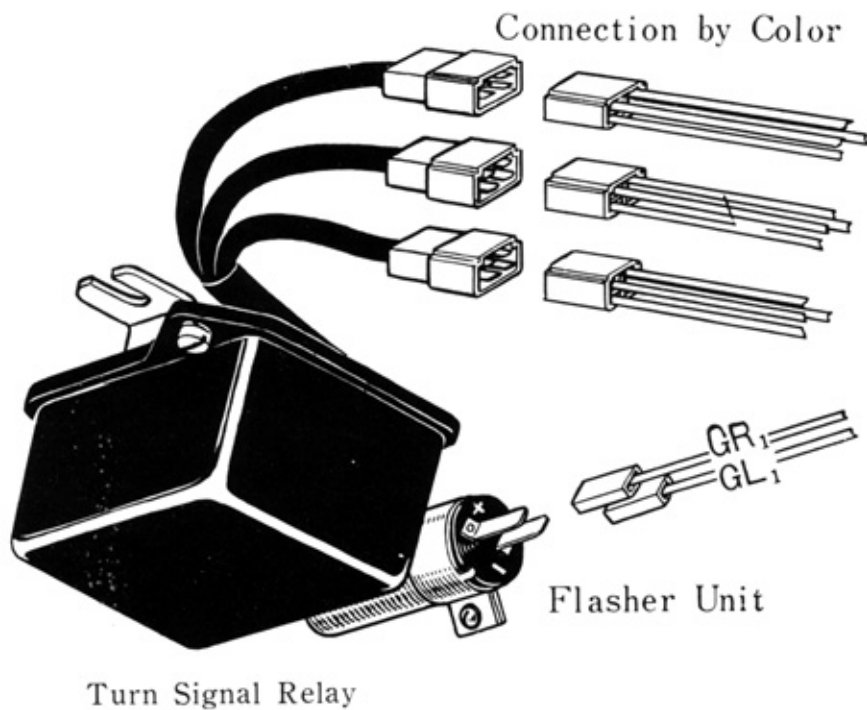
Models RT20, PT20



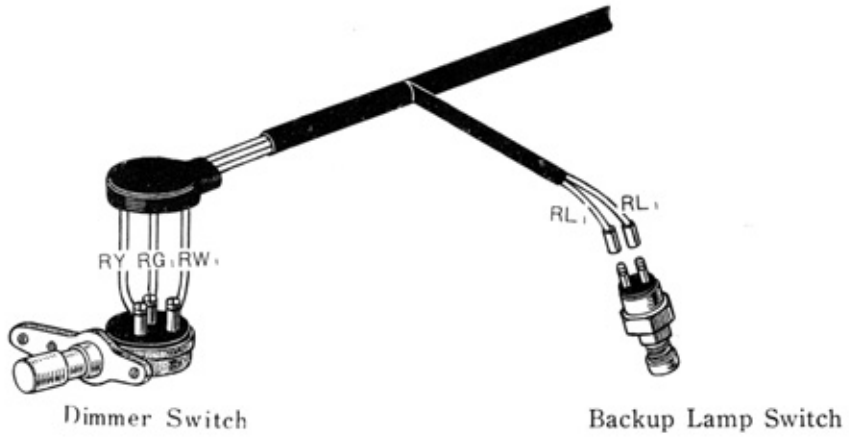


See page 9-5 "WIRING DIAGRAM" of Turn Signal Relay.

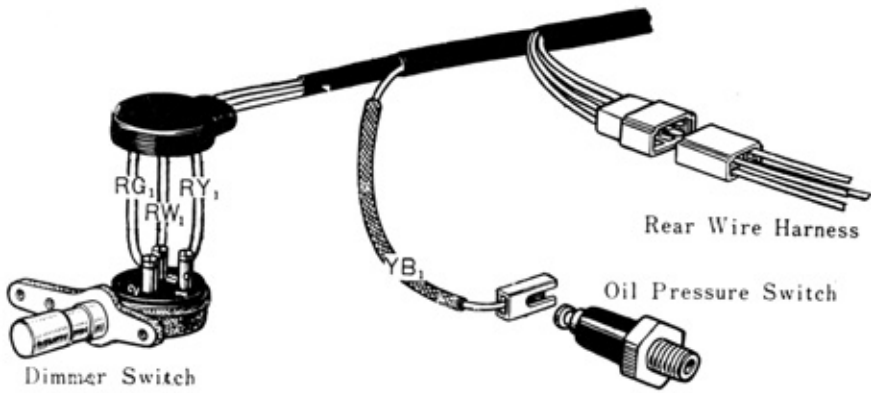
Model PT20 (Old Type)



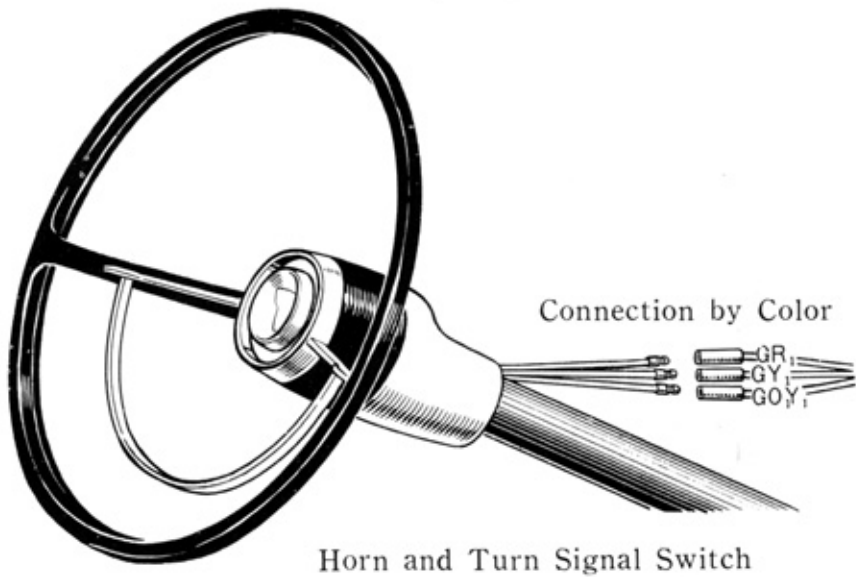
Model RT20L



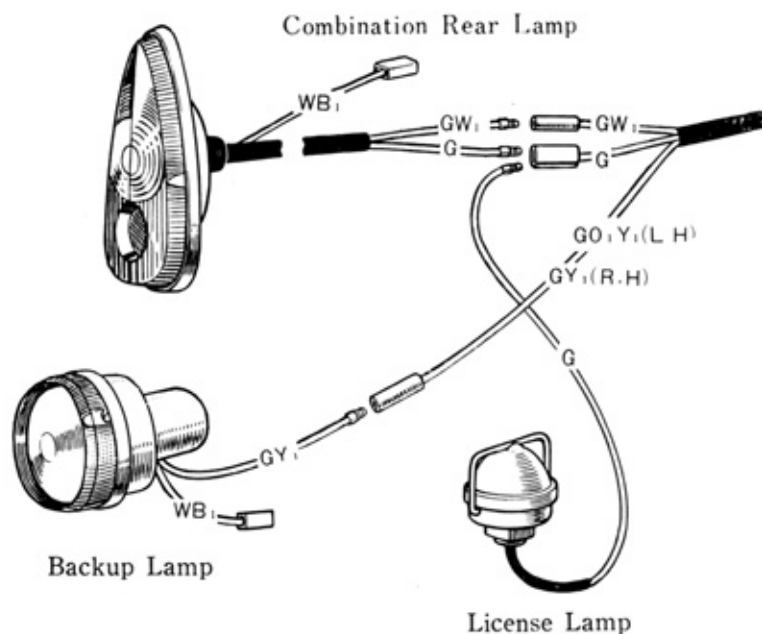
Models RT20, PT20



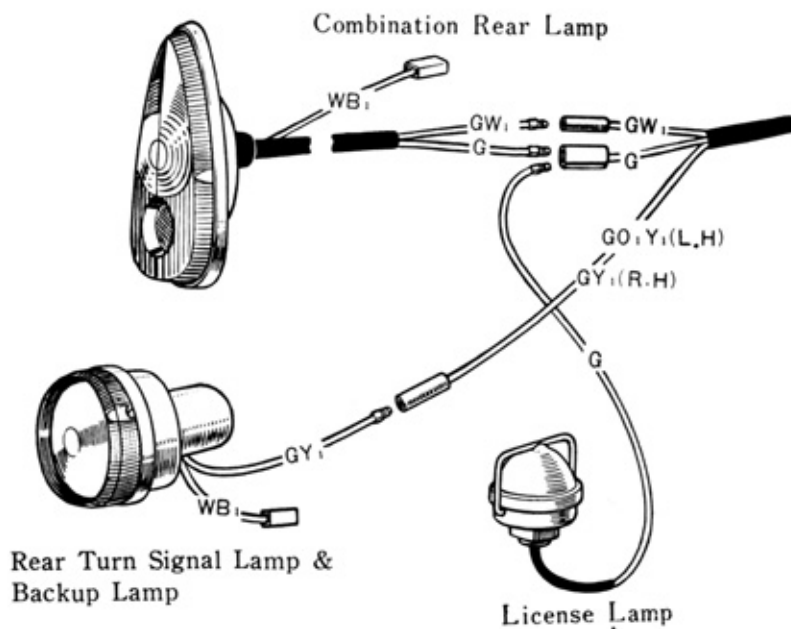
Models RT20L, RT20, PT20



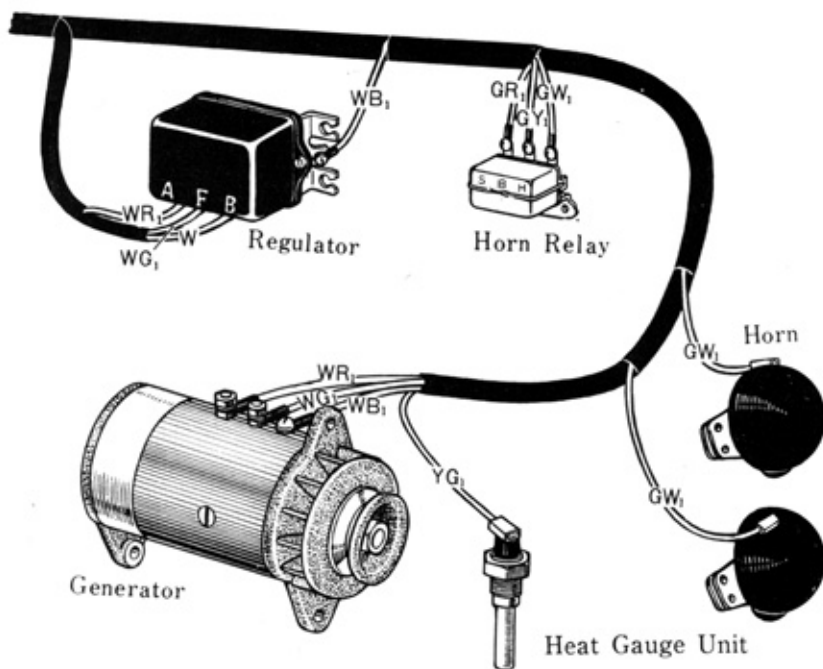
Model RT20L



Models RT20, PT20



Models RT20L, RT20, PT20



Models RT20L, RT20, PT20

Ignition and Starter Switch

